



The battery is manufactured with PVC-SiO₂ separator and colloidal or fumed silica. The tubular positive plate and pasted negative plate is applied. The batteries use silica gel to immobilize the electrolyte inside the battery. The proven silica gel technology improves battery cycle life and performance at various ambient temperatures.

Battery Construction

COMPONENT	POSITIVE PLATE	NEGATIVE PLATE	CONTAINER	COVER	SAFETY VALVE	TERMINAL	SEPARATOR	ELECTROLYTE
Raw material	Tubular	Lead	ABS	ABS	Rubber	Copper	PVC-SiO ₂	Fumed Silicon

Performance Characteristics

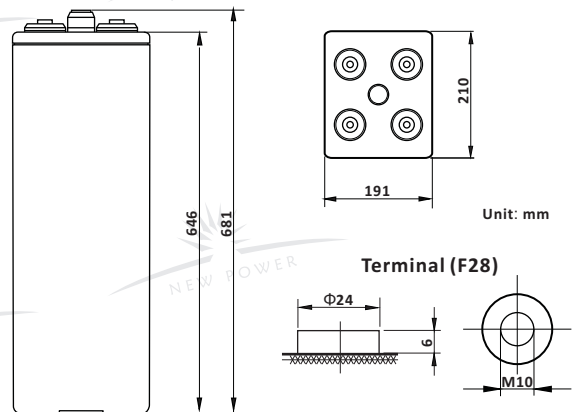
- **Nominal Voltage** 2V
- **Number of Cell** 1
- **Nominal Capacity (77°F / 25°C)**
 - 240 Hour rate (4.26A, 1.85V) 1055Ah
 - 48 Hour rate (20A, 1.85V) 1000Ah
 - 10 Hour rate (80A, 1.8V) 800Ah
 - 3 Hour rate (200A, 1.8V) 600Ah
- **Internal Resistance**
 - Fully charged battery (77°F / 25°C) 0.32mΩ
- **Operating Temperature Range**
 - Discharge -20 ~ 65°C
 - Charge -10 ~ 65°C
 - Store -20 ~ 65°C
- **Self-Discharge 68°F (20°C)**
 - Capacity declined per month 1.5%
- **Max. discharge current 77°F / 25°C** 4000A(5S)
- **Charge Methods: constant voltage charge 77°F / 25°C**
 - Cycle use 2.38 ~ 2.42V
 - Max. Current 120A
 - Standby use 2.23 ~ 2.27V

General Features

- **The battery has a long service life, under float charging, ambient temperature 25°C, it can operate 15-20 years.**
- **High cycle service life.**
- **Excellent recovery from deep discharge and good deep discharge cycle capability.**
- **The battery has a low self-discharge, keep over 60% of the rated capacity after 2 years stored under 20°C.**
- **Better temperature resistance performance.**
- **Excellent deep cycle performance.**
- **Superior low current discharge performance.**
- **Better high temperature performance.**
- **Stronger constant power discharge capability.**
- **Better charge reception capability.**
- **Better safety performance and reliability.**
- **Modular and personified installation design.**

Dimensions and Weight

Type	Length	Width	Height	Total Height	Approx. Weight
SI Units	210mm	191mm	646mm	681mm	62.0Kg
English Units	8.26inch	7.52inch	25.4inch	26.8inch	136.7lbs



Constant Current Discharge (Amperes at 77°F/25°C)

V/cell	15min	30min	1h	3h	5h	10h	24h	48h	120h
1.65	970	724	454	219	143	--	--	--	--
1.70	905	689	435	213	139	--	--	--	--
1.75	835	652	415	207	135	82.0	--	--	--
1.80	762	613	393	200	131	80.0	--	--	--
1.85	682	568	367	191	125	77.0	35.8	20.0	8.50

Constant Power Discharge (Watts at 77°F/25°C)

V/cell	15min	30min	1h	3h	5h	10h	24h	48h	120h
1.65	1892	1411	904	411	290	--	--	--	--
1.70	1772	1331	869	399	283	--	--	--	--
1.75	1647	1246	831	373	275	156	--	--	--
1.80	1517	1158	791	359	266	153	--	--	--
1.85	1377	1058	746	342	255	145	71.3	39.8	16.9

(Note: The above characteristics data are average values obtained within three charge/discharge cycles not the minimum values.)

