



The battery is manufactured with porous rubber and rubber separator and transparent AS case. The tubular positive plate, pasted negative plate and acid-proof bolt is applied. The combination plugs may be applied for maintenance-free for over 5 years.

**Performance Characteristics**

- **Nominal Voltage** ..... 2V
- **Number of Cell** ..... 1
- **Nominal Capacity (77°F /25°C)**
  - 240 Hour rate (4.88A, 1.85V) ..... 1170Ah
  - 100 Hour rate (9.60A, 1.85V)..... 960Ah
  - 10 Hour rate (80.0A, 1.80V)..... 800Ah
  - 5 Hour rate (134.0A, 1.80V)..... 672Ah
  - 3 Hour rate (200A, 1.75V) ..... 600Ah
  - 1 Hour rate (424A, 1.67V) ..... 424Ah
- **Operating Temperature Range**
  - Discharge ..... -20 ~ 65°C
  - Charge ..... -10 ~ 65°C
  - Store ..... -20 ~ 65°C
- **Self-Discharge 68°F (20°C)**
  - Capacity declined per 28 days..... 4.5%
- **Max. discharge current 77°F /25°C** ..... 8000A(5S)

**General Features**

- **The battery has a long service life, under float charging, ambient temperature 25C, it can operate over 20 years.**
- **Maximum cycle stability and durability.**
- **The battery meet the standard specified in IEC896-1 and DIN40736.**
- **High Quality and reliability.**
- **Water supplement cycle 0.25 - 1 year (normal)**
- **1-2 year (choose water content recombination valve)**
- **High cycle service life**
- **Better temperature resistance performance**
- **Excellent deep cycle performance**
- **Superior low current discharge performance**
- **Better charge reception capability**
- **Better safety performance and reliability**
- **Modular and personified installation design**
- **Performance price ratio is high and yearly operating cost is low**
- **Eco-friendly, cycle application**

**Charging Method**

Application		Initial Charge	Equalizing Charge	Float Charge
Charging Method		Constant Current Charging	Constant Current Charging	Constant Current Charging
Charging Voltage at 20°C		----	2.38 ~ 2.42V	2.23 ~ 2.27V
Temperature Compensation Coefficient of Charging Voltage		----	-3 mV/°C	-3 mV/°C
Charging Current		40A	80A (Max. Current)	80A (Max. Current)
Charging Time 20°C	100% Discharge	60h	60h	36h
	50% Discharge	48h	48h	24h
Temperature		0 ~ 45°C (32 ~ 113 °F)		

**Main Applications**

- **DC power and standby power for operate equipment of power system and nuclear power station**
- **Standby power supply for various communication and signal systems**
- **Solar energy, wind energy, hydroelectric generation power storage and wind & solar hybrid project**
- **Standby power supply for shipping**
- **Standby power supply for petrochemical industry**
- **Standby power supply for UPS, medical facilities and emergency lightings and so on**
- **UPS**



**Structure Features**

**Plate**

Positive plate adopts tubular type plate which can effectively prevent active substance falling, positive plate frame is made of complex alloy, the alloy crystal particle is tiny and dens. The corrosion-resisting performance is good and service life is long. The negative plate adopts pasted plate, grid adopts radiated structure, which enhances utilization ratio of active substance and discharge capability of strong current; moreover, the charge reception capability is strong.

**Battery Case**

Adopts AS transparent case with corrosion prevention, high strength and beautiful appearance, the internal structure and state of battery can be directly observed via transparent case.

**Separator**

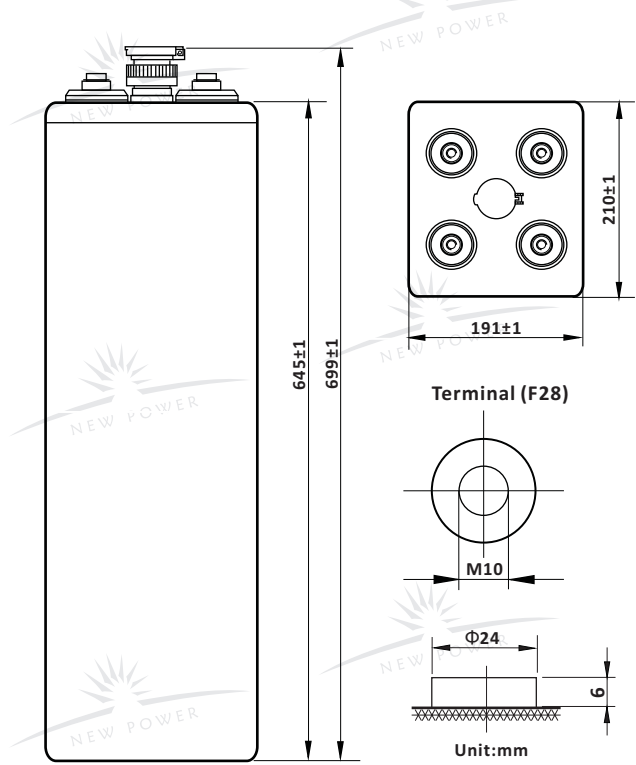
The combined separator of multi-hole corrugated plastic and micro-bore rubber separator have bigger electrolyte storage space, which enhances dispersion speed of electrolyte, greatly reduces internal resistance of battery and prevents dendrite short circuit after deep discharge.

**Terminal Sealing**

The built-in copper-core lead-based terminal post has strong current capacity and corrosion resistance. The unique terminal post sealing structure can effectively eliminate the stress which is generated due to plate extension, leaking is avoided, sealing reliability of terminal post is ensured and service life of battery is greatly increased.

**Acid Resistant Bolt**

Adopt special funnel-shaped acid resistant bolt which can filter acid fume and prevent flame, the density and temperature of electrolyte can be measured directly, use is safe and maintenance is convenient.



**Dimensions and Weight**

Type	Length	Width	Height	Total Height	Dry Weight	Wet Weight	Acid Weight (d1.24)
<b>SI Units</b>	210mm	191mm	645mm	700mm	44Kg	60Kg	16Kg
<b>English Units</b>	8.27inch	7.5inch	25.4inch	27.6inch	97.0lbs	132.28lbs	35.27lbs

**Constant Current Discharge (Amperes at 77°F/25°C)**

V/cell	30min	1h	2h	3h	4h	5h	6h	8h	10h	24h	48h	100h	120h	240h
1.70V	519	398	264	204	164	139	121.6	97.6	81.6	----	----	----	----	----
1.75V	478	376	256	200	162	136	120	96.0	81.6	42.4	23.2	----	----	----
1.80V	444	352	248	190	160	134	116	94.4	80.0	41.6	23.2	----	----	----
1.85V	404	346	232	186	152	126	112	92.0	77.6	40.8	22.4	9.60	8.32	4.88
1.90V	394	324	208	176	142	122	108	88.0	74.4	38.4	21.6	9.44	8.16	4.80

**Constant Power Discharge (Watts at 77°F/25°C)**

V/cell	30min	1h	2h	3h	4h	5h	6h	8h	10h	24h	48h	100h	120h	240h
1.70V	941	741	490	381	306	261	233	188	158	----	----	----	----	----
1.75V	870	702	478	375	305	257	230	185	158	84.8	46.4	----	----	----
1.80V	835	658	466	357	302	254	225	184	157	83.2	46.8	----	----	----
1.85V	769	651	439	353	290	243	220	182	154	81.6	45.2	19.5	17.0	10.0
1.90V	745	619	400	338	274	238	214	175	149	77.2	44.0	19.2	16.7	9.84

