



The battery is manufactured with porous rubber and rubber separator and transparent AS case. The tubular positive plate, pasted negative plate and acid-proof bolt is applied. The combination plugs may be applied for maintenance-free for over 5 years.

### Performance Characteristics

- **Nominal Voltage** ..... 2V
- **Number of Cell** ..... 1
- **Nominal Capacity (77°F /25°C)**
  - 240 Hour rate (3.63A, 1.85V) ..... 872Ah
  - 100 Hour rate (7.20A, 1.85V)..... 720Ah
  - 10 Hour rate (60.0A, 1.80V)..... 600Ah
  - 5 Hour rate (100.0A, 1.80V) ..... 504Ah
  - 3 Hour rate (150A, 1.75V) ..... 450Ah
  - 1 Hour rate (316A, 1.67V) ..... 318Ah
- **Operating Temperature Range**
  - Discharge ..... -20 ~ 65°C
  - Charge ..... -10 ~ 65°C
  - Store ..... -20 ~ 65°C
- **Self-Discharge 68°F (20°C)**
  - Capacity declined per 28 days..... 4.5%
- **Max. discharge current 77°F /25°C** ..... 3000A(5S)

### General Features

- *The battery has a long service life, under float charging, ambient temperature 25C, it can operate over 20 years.*
- *Maximum cycle stability and durability.*
- *The battery meet the standard specified in IEC896-1 and DIN40736.*
- *High Quality and reliability.*
- *Water supplement cycle 0.25 - 1 year (normal)*
- *1-2 year (choose water content recombination valve)*
- *High cycle service life*
- *Better temperature resistance performance*
- *Excellent deep cycle performance*
- *Superior low current discharge performance*
- *Better charge reception capability*
- *Better safety performance and reliability*
- *Modular and personified installation design*
- *Performance price ratio is high and yearly operating cost is low*
- *Eco-friendly, cycle application*

### Charging Method

Application		Initial Charge	Equalizing Charge	Float Charge
Charging Method		Constant Current Charging	Constant Current Charging	Constant Current Charging
Charging Voltage at 20°C		----	2.38 ~ 2.42V	2.23 ~ 2.27V
Temperature Compensation Coefficient of Charging Voltage		----	-3 mV/°C	-3 mV/°C
Charging Current		30A	60A (Max. Current)	60A (Max. Current)
Charging Time 20°C	100% Discharge	60h	60h	36h
	50% Discharge	48h	48h	24h
Temperature		0 ~ 45°C (32 ~ 113 °F)		

### Main Applications

- *DC power and standby power for operate equipment of power system and nuclear power station*
- *Standby power supply for various communication and signal systems*
- *Solar energy, wind energy, hydroelectric generation power storage and wind & solar hybrid project*
- *Standby power supply for shipping*
- *Standby power supply for petrochemical industry*
- *Standby power supply for UPS, medical facilities and emergency lightings and so on*
- **UPS**



**Structure Features**

**Plate**

Positive plate adopts tubular type plate which can effectively prevent active substance falling, positive plate frame is made of complex alloy, the alloy crystal particle is tiny and dens. The corrosion-resisting performance is good and service life is long. The negative plate adopts pasted plate, grid adopts radiated structure, which enhances utilization ratio of active substance and discharge capability of strong current; moreover, the charge reception capability is strong.

**Battery Case**

Adopts AS transparent case with corrosion prevention, high strength and beautiful appearance, the internal structure and state of battery can be directly observed via transparent case.

**Separator**

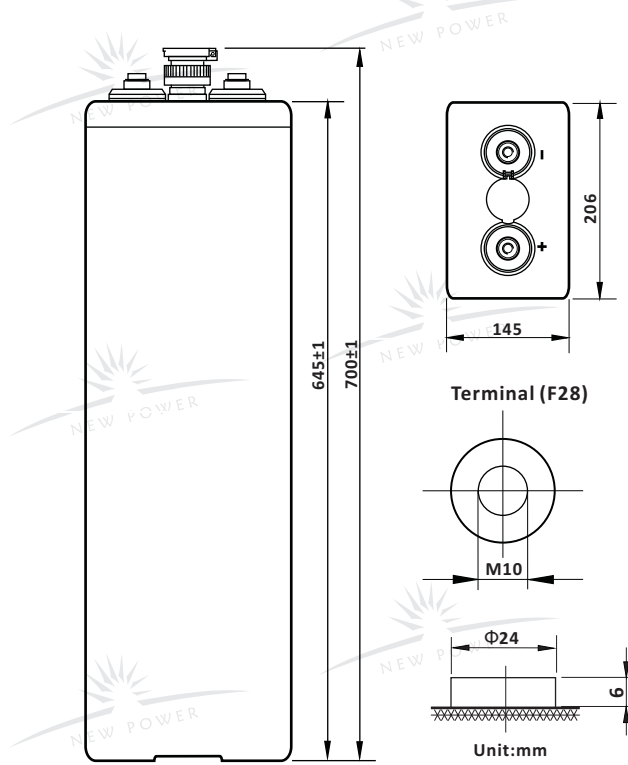
The combined separator of multi-hole corrugated plastic and micro-bore rubber separator have bigger electrolyte storage space, which enhances dispersion speed of electrolyte, greatly reduces internal resistance of battery and prevents dendrite short circuit after deep discharge.

**Terminal Sealing**

The built-in copper-core lead-based terminal post has strong current capacity and corrosion resistance. The unique terminal post sealing structure can effectively eliminate the stress which is generated due to plate extension, leaking is avoided, sealing reliability of terminal post is ensured and service life of battery is greatly increased.

**Acid Resistant Bolt**

Adopt special funnel-shaped acid resistant bolt which can filter acid fume and prevent flame, the density and temperature of electrolyte can be measured directly, use is safe and maintenance is convenient.



**Dimensions and Weight**

Type	Length	Width	Height	Total Height	Dry Weight	Wet Weight	Acid Weight (d1.24)
<b>SI Units</b>	206mm	145mm	645mm	700mm	34Kg	46Kg	12Kg
<b>English Units</b>	8.11inch	5.7inch	25.4inch	27.6inch	74.96lbs	101.41lbs	26.46lbs

**Constant Current Discharge (Amperes at 77°F/25°C)**

V/cell	30min	1h	2h	3h	4h	5h	6h	8h	10h	24h	48h	100h	120h	240h
1.70V	394	304	198	154	124	104	91.2	73.2	61.2	----	----	----	----	----
1.75V	360	283	192	150	122	102	90.0	72.0	61.2	31.8	17.4	----	----	----
1.80V	340	265	186	143	120	101	87.0	70.8	60.0	31.2	17.4	----	----	----
1.85V	310	259	174	139	114	94.8	84.0	69.0	58.2	30.6	16.8	7.20	6.24	3.64
1.90V	298	244	156	132	106	91.8	81.0	66.0	55.8	28.8	16.2	7.08	6.12	3.60

**Constant Power Discharge (Watts at 77°F/25°C)**

V/cell	30min	1h	2h	3h	4h	5h	6h	8h	10h	24h	48h	100h	120h	240h
1.70V	720	569	374	292	235	199	175	142	118	----	----	----	----	----
1.75V	666	536	365	287	234	197	173	139	118	63.4	34.8	----	----	----
1.80V	640	504	356	274	232	194	169	138	118	62.2	35.0	----	----	----
1.85V	588	498	336	270	222	186	166	137	115	61.2	34.1	14.6	12.7	7.50
1.90V	570	473	305	259	210	182	161	132	112	58.1	33.0	14.4	12.6	7.38

