



AGM BATTERY ND Series

NM 12-65D (12V 65AH)



The rechargeable batteries are lead-lead dioxide systems. The dilute sulfuric acid electrolyte is absorbed by separators and plates and thus immobilized. Should the battery be accidentally overcharged producing hydrogen and oxygen, special one-way valves allow the gases to escape thus avoiding excessive pressure build-up. Otherwise, the battery is completely sealed and is, therefore, maintenance-free, leak proof and usable in any position.

Battery Construction

COMPONENT Raw material	POSITIVE PLATE Lead dioxide	NEGATIVE PLATE Lead	CONTAINER ABS	COVER ABS	SAFETY VALVE Rubber	TERMINAL Copper/Plug	SEPARATOR Fiberglass	ELECTROLYTE Sulfuric acid
---------------------------	--------------------------------	------------------------	------------------	--------------	------------------------	-------------------------	-------------------------	------------------------------

Performance Characteristics

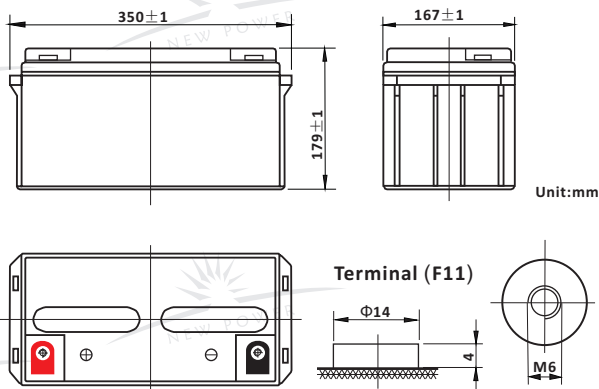
- **Nominal Voltage** 12V
- **Number of Cell** 6
- **Nominal Capacity (77°F /25°C)**
 - 20 Hour rate (3.4A, 10.8V) 68Ah
 - 10 Hour rate (6.5A, 10.5V) 65Ah
 - 5 Hour rate (11.1A, 10.5V) 55.5Ah
 - 1 Hour rate (39.5A, 9.6V) 39.5Ah
- **Internal Resistance**
Fully charged battery (77°F /25°C) 8mΩ
- **Capacity affected by temperature (10 hour rate)**
 - 104°F (40°C) 102% 32°F (10°C) 85%
 - 77°F (25°C) 100% 5°F (-15°C) 65%
- **Self-Discharge 68°F (20°C)**
 - Capacity after 3 month storage 90%
 - Capacity after 6 month storage 80%
 - Capacity after 12 month storage 60%
- **Max. discharge current 77°F /25°C** 650A(5S)
- **Charge Methods: constant voltage charge 77°F /25°C**
 - Cycle use 14.5 ~ 14.9V
 - Max. Current 16.3A
 - Standby use 13.6 ~ 13.8V

General Features

- **Absorbent Glass Mat (AGM) technology for efficient gas recombination of up to 99% and freedom from electrolyte maintenance or water adding.**
- **Not restricted for air transport-complies with IATA/ICAO Special Provision A67.**
- **A recognized component of CE and UL**
- **Computer designed lead, calcium tin alloy grid for high power density.**
- **Long service life, float or cyclic applications.**
- **Maintenance-free operation.**
- **Low self discharge**
- **Design life 10 years**

Dimensions and Weight

Type	Length	Width	Height	Total Height	Approx. Weight
SI Units	350mm	167mm	179mm	183mm	19.6Kg
English Units	13.78inch	6.57inch	7.05inch	7.20inch	43.0lbs



Constant Current Discharge (Amperes at 77°F/25°C)

V/cell	5min	10min	15min	30min	1h	3h	5h	10h	20h
1.60	210	153	120	67.5	39.5	16.8	11.7	6.80	3.55
1.65	200	147	115	65.5	38.3	16.6	11.5	6.70	3.50
1.70	188	140	109	62.8	36.8	16.3	11.3	6.60	3.45
1.75	174	131	103	59.8	35.0	16.0	11.1	6.50	3.40
1.80	161	119	95.7	56.1	32.9	15.6	10.9	6.40	3.35

Constant Power Discharge (Watts at 77°F/25°C)

V/cell	5min	10min	15min	30min	45min	1h	2h	3h	5h
1.60	350	233	183	122	96.7	76.7	49.8	34.4	23.0
1.65	328	220	173	116	92.2	73.4	48.3	33.6	22.6
1.70	307	206	163	109	87.6	70.1	46.7	32.6	22.1
1.75	285	193	153	103	82.9	66.6	44.8	31.7	21.7
1.80	264	179	143	96.6	78.1	63.0	42.9	30.6	21.1

(Note: The above characteristics data are average values obtained within three charge/discharge cycles not the minimum values.)



