



AGM BATTERY ND Series

NM 12-150D (12V 150AH)



The rechargeable batteries are lead-lead dioxide systems. The dilute sulfuric acid electrolyte is absorbed by separators and plates and thus immobilized. Should the battery be accidentally overcharged producing hydrogen and oxygen, special one-way valves allow the gases to escape thus avoiding excessive pressure build-up. Otherwise, the battery is completely sealed and is, therefore, maintenance-free, leak proof and usable in any position.

Battery Construction

COMPONENT	POSITIVE PLATE	NEGATIVE PLATE	CONTAINER	COVER	SAFETY VALVE	TERMINAL	SEPARATOR	ELECTROLYTE
Raw material	Lead dioxide	Lead	ABS	ABS	Rubber	Copper/Plug	Fiberglass	Sulfuric acid

Performance Characteristics

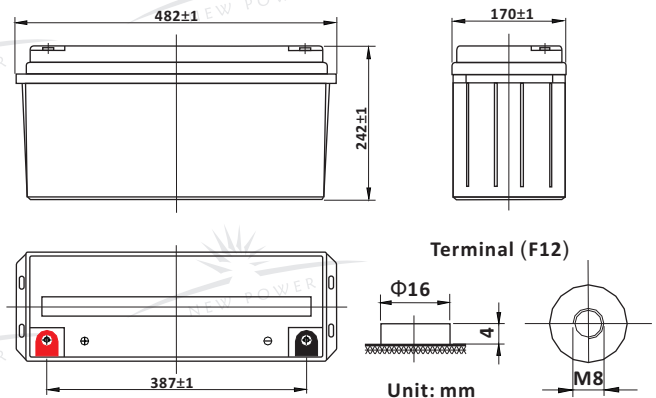
- **Nominal Voltage** 12V
- **Number of Cell** 6
- **Nominal Capacity (77°F /25°C)**
 - 20 Hour rate (7.8A, 10.8V) 156Ah
 - 10 Hour rate (15A, 10.8V) 150Ah
 - 5 Hour rate (26.6A, 10.5V) 133Ah
 - 1 Hour rate (97A, 9.6V) 97Ah
- **Internal Resistance**
 - Fully charged battery (77°F /25°C) 4mΩ
- **Capacity affected by temperature (10 hour rate)**
 - 104°F (40°C) 102% 32°F (10°C) 85%
 - 77°F (25°C) 100% 5°F (-15°C) 65%
- **Self-Discharge 68°F (20°C)**
 - Capacity after 3 month storage 90%
 - Capacity after 6 month storage 80%
 - Capacity after 12 month storage 60%
- **Max. discharge current 77°F /25°C** 950A(5S)
- **Charge Methods: constant voltage charge 77°F /25°C**
 - Cycle use 14.4 ~ 14.7V
 - Max. Current 37.5A
 - Standby use 13.6 ~ 13.8V

General Features

- **Absorbent Glass Mat (AGM) technology for efficient gas recombination of up to 99% and freedom from electrolyte maintenance or water adding.**
- **Not restricted for air transport-complies with IATA/ICAO Special Provision A67.**
- **A recognized component of CE and UL**
- **Computer designed lead, calcium tin alloy grid for high power density.**
- **Long service life, float or cyclic applications.**
- **Maintenance-free operation.**
- **Low self discharge**
- **Design life 10 years**

Dimensions and Weight

Type	Length	Width	Height	Total Height	Approx. Weight
SI Units	482mm	170mm	242mm	242mm	45Kg
English Units	19.0inch	6.69inch	9.53inch	9.53inch	99.2lbs



Constant Current Discharge (Amperes at 77°F/25°C)

V/cell	5min	10min	15min	30min	1h	3h	5h	10h	20h
1.60	445	347	282	163	97.0	40.1	28.1	15.5	7.93
1.65	415	327	267	158	95.0	39.4	27.6	15.4	7.90
1.70	384	306	253	153	93.0	38.5	27.1	15.3	7.90
1.75	352	286	239	147	91.0	38.0	26.6	15.2	7.85
1.80	317	263	226	144	89.0	37.4	26.0	15.0	7.80

Constant Power Discharge (Watts at 77°F/25°C)

V/cell	5min	10min	15min	30min	45min	1h	2h	3h	5h
1.60	765	609	501	325	221	201	112	78.0	53.5
1.65	734	579	483	315	216	198	110	77.1	53.2
1.70	686	548	465	306	211	195	108	76.2	52.8
1.75	638	519	446	296	206	190	106	75.3	52.5
1.80	591	487	425	286	202	184	105	74.0	52.0

(Note: The above characteristics data are average values obtained within three charge/discharge cycles not the minimum values.)



