



# AGM BATTERY NL Series

**NL2-600 (2V 600AH)**



The rechargeable batteries are lead-lead dioxide systems. The dilute sulfuric acid electrolyte is absorbed by separators and plates and thus immobilized. Should the battery be accidentally overcharged producing hydrogen and oxygen, special one-way valves allow the gases to escape thus avoiding excessive pressure build-up. Otherwise, the battery is completely sealed and is, therefore, maintenance-free, leak proof and usable in any position.

## Battery Construction

COMPONENT	POSITIVE PLATE	NEGATIVE PLATE	CONTAINER	COVER	SAFETY VALVE	TERMINAL	SEPARATOR	ELECTROLYTE
Raw material	Lead dioxide	Lead	ABS	ABS	Rubber	Copper/Plug	Fiberglass	Sulfuric acid

## Performance Characteristics

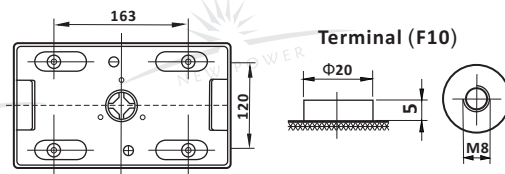
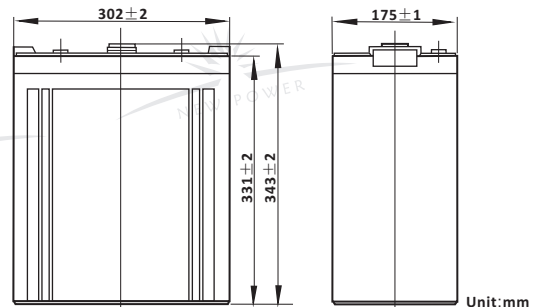
- **Nominal Voltage** ..... 2V
- **Number of Cell** ..... 1
- **Nominal Capacity (77°F /25°C)**
  - 10 Hour rate (60A, 1.80V) ..... 600Ah
  - 5 Hour rate (106A, 1.75V) ..... 530Ah
  - 3 Hour rate (170A, 1.70V) ..... 510Ah
  - 1 Hour rate (364A, 1.60V)..... 364Ah
- **Internal Resistance**
  - Fully charged battery (77°F /25°C) ..... 0.7mΩ
- **Capacity affected by temperature (20 hour rate)**
  - 104°F (40°C) ..... 102%    32°F (10°C) ..... 85%
  - 77°F (25°C) ..... 100%    5°F (-15°C) ..... 65%
- **Self-Discharge 68°F (20°C)**
  - Capacity after 3 month storage ..... 90%
  - Capacity after 6 month storage ..... 80%
  - Capacity after 12 month storage ..... 60%
- **Max. discharge current 77°F /25°C** ..... 2000A(5S)
- **Charge Methods: constant voltage charge 77°F /25°C**
  - Cycle use ..... 2.35 ~ 2.45V
  - Max. Current ..... 120A
  - Standby use ..... 2.25 ~ 2.30V

## General Features

- **Absorbent Glass Mat (AGM) technology for efficient gas recombination of up to 99% and freedom from electrolyte maintenance or water adding.**
- **Not restricted for air transport-complies with IATA/ICAO Special Provision A67.**
- **A recognized component of CE and UL**
- **Computer designed lead, calcium tin alloy grid for high power density.**
- **Long service life, float or cyclic applications.**
- **Maintenance-free operation.**
- **Low self discharge**
- **Design life 15 years**

## Dimensions and Weight

Type	Length	Width	Height	Total Height	Approx. Weight
SI Units	302mm	175mm	330mm	367mm	37Kg
English Units	11.9inch	6.89inch	13.0inch	14.45inch	81.5lbs



Total height with removable cover: 367

## Constant Current Discharge (Amperes at 77°F/25°C)

V/cell	10min	15min	30min	45min	1h	3h	5h	10h
1.60	1155	885	616	479	364	180	113	64
1.65	1095	841	588	460	351	175	111	63
1.70	1033	797	560	440	337	170	109	62
1.75	969	752	530	416	322	163	106	61
1.80	904	707	500	395	307	156	103	60

## Constant Power Discharge (Watts at 77°F/25°C)

V/cell	10min	15min	30min	45min	1h	2h	3h	5h
1.60	1911	1424	1123	905	710	483	358	225
1.65	1800	1374	1067	864	680	472	349	222
1.70	1688	1269	1009	820	649	460	340	218
1.75	1577	1191	951	776	617	446	330	214
1.80	1467	1112	892	731	583	418	309	211

(Note: The above characteristics data are average values obtained within three charge/discharge cycles not the minimum values.)



