



AGM BATTERY NL Series

NL2-2500 (2V 2500AH)



The rechargeable batteries are lead-lead dioxide systems. The dilute sulfuric acid electrolyte is absorbed by separators and plates and thus immobilized. Should the battery be accidentally overcharged producing hydrogen and oxygen, special one-way valves allow the gases to escape thus avoiding excessive pressure build-up. Otherwise, the battery is completely sealed and is, therefore, maintenance-free, leak proof and usable in any position.

Battery Construction

COMPONENT	POSITIVE PLATE	NEGATIVE PLATE	CONTAINER	COVER	SAFETY VALVE	TERMINAL	SEPARATOR	ELECTROLYTE
Raw material	Lead dioxide	Lead	ABS	ABS	Rubber	Copper/Plug	Fiberglass	Sulfuric acid

Performance Characteristics

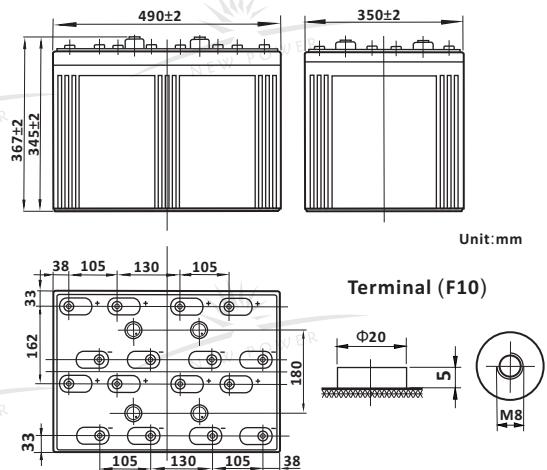
- **Nominal Voltage** 2V
- **Number of Cell** 1
- **Nominal Capacity (77°F /25°C)**
 - 10 Hour rate (250A, 1.8V) 2500Ah
 - 5 Hour rate (450A, 1.75V) 2250Ah
 - 3 Hour rate (650A, 1.70V) 1950Ah
 - 1 Hour rate (1520A, 1.60V)..... 1520Ah
- **Internal Resistance**
 - Fully charged battery (77°F /25°C) 0.2mΩ
- **Capacity affected by temperature (20 hour rate)**
 - 104°F (40°C) 102% 32°F (10°C) 85%
 - 77°F (25°C) 100% 5°F (-15°C) 65%
- **Self-Discharge 68°F (20°C)**
 - Capacity after 3 month storage 90%
 - Capacity after 6 month storage 80%
 - Capacity after 12 month storage 60%
- **Max. discharge current 77°F /25°C** 4000A(5S)
- **Charge Methods: constant voltage charge 77°F /25°C**
 - Cycle use 2.35 ~ 2.45V
 - Max. Current 500A
 - Standby use 2.25 ~ 2.30V

General Features

- **Absorbent Glass Mat (AGM) technology for efficient gas recombination of up to 99% and freedom from electrolyte maintenance or water adding.**
- **Not restricted for air transport-complies with IATA/ICAO Special Provision A67.**
- **A recognized component of CE and UL**
- **Computer designed lead, calcium tin alloy grid for high power density.**
- **Long service life, float or cyclic applications.**
- **Maintenance-free operation.**
- **Low self discharge**
- **Design life 15 years**

Dimensions and Weight

Type	Length	Width	Height	Total Height	Approx. Weight
SI Units	490mm	350mm	345mm	382mm	140Kg
English Units	19.3inch	13.8inch	13.6inch	15.04inch	308.6lbs



Constant Current Discharge (Amperes at 77°F/25°C)

V/cell	10min	15min	30min	45min	1h	3h	5h	10h
1.60	4163	3344	2469	1830	1520	675	472	262
1.65	3944	3184	2360	1756	1495	665	466	260
1.70	3726	3018	2246	1683	1465	650	458	257
1.75	3496	2846	2128	1598	1435	638	450	254
1.80	3254	2674	2010	1512	1400	623	440	250

Constant Power Discharge (Watts at 77°F/25°C)

V/cell	10min	15min	30min	45min	1h	2h	3h	5h
1.60	7019	5677	4322	3261	2757	1860	1272	882
1.65	6614	5372	4105	3112	2662	1788	1251	876
1.70	6202	5065	3885	2955	2565	1710	1234	865
1.75	5795	4748	3660	2793	2528	1672	1207	847
1.80	5387	4436	3430	2635	2385	1592	1130	828

(Note: The above characteristics data are average values obtained within three charge/discharge cycles not the minimum values.)



