



# AGM BATTERY NL Series



## NL2-200 (2V 200AH)

The rechargeable batteries are lead-lead dioxide systems. The dilute sulfuric acid electrolyte is absorbed by separators and plates and thus immobilized. Should the battery be accidentally overcharged producing hydrogen and oxygen, special one-way valves allow the gases to escape thus avoiding excessive pressure build-up. Otherwise, the battery is completely sealed and is, therefore, maintenance-free, leak proof and usable in any position.

### Battery Construction

COMPONENT	POSITIVE PLATE	NEGATIVE PLATE	CONTAINER	COVER	SAFETY VALVE	TERMINAL	SEPARATOR	ELECTROLYTE
Raw material	Lead dioxide	Lead	ABS	ABS	Rubber	Copper/Plug	Fiberglass	Sulfuric acid

### Performance Characteristics

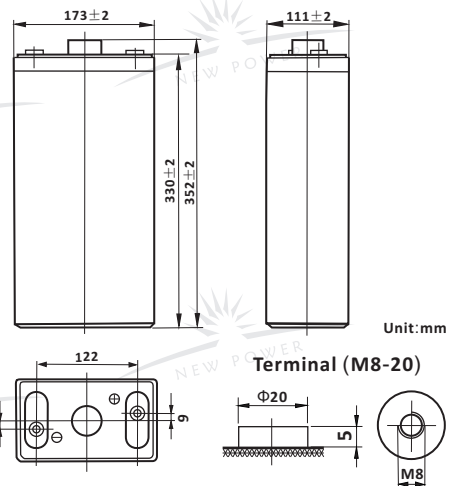
- **Nominal Voltage** ..... 2V
- **Number of Cell** ..... 1
- **Nominal Capacity (77°F/25°C)**
  - 10 Hour rate (20A, 1.8V) ..... 200Ah
  - 5 Hour rate (36A, 1.75V) ..... 168Ah
  - 3 Hour rate (53A, 1.70V) ..... 159Ah
  - 1 Hour rate (125A, 1.60V) ..... 125Ah
- **Internal Resistance**  
Fully charged battery (77°F/25°C) ..... 0.75mΩ
- **Capacity affected by temperature (20 hour rate)**
  - 104°F (40°C) ..... 102%    32°F (10°C) ..... 85%
  - 77°F (25°C) ..... 100%    5°F (-15°C) ..... 65%
- **Self-Discharge 68°F (20°C)**
  - Capacity after 3 month storage ..... 90%
  - Capacity after 6 month storage ..... 80%
  - Capacity after 12 month storage ..... 60%
- **Max. discharge current 77°F/25°C** ..... 1000A(5S)
- **Charge Methods: constant voltage charge 77°F/25°C**
  - Cycle use ..... 2.35 ~ 2.45V
  - Max. Current ..... 40A
  - Standby use ..... 2.25 ~ 2.30V

### General Features

- **Absorbent Glass Mat (AGM) technology for efficient gas recombination of up to 99% and freedom from electrolyte maintenance or water adding.**
- **Not restricted for air transport-complies with IATA/ICAO Special Provision A67.**
- **A recognized component of CE and UL**
- **Computer designed lead, calcium tin alloy grid for high power density.**
- **Long service life, float or cyclic applications.**
- **Maintenance-free operation.**
- **Low self discharge**
- **Design life 15 years**

### Dimensions and Weight

Type	Length	Width	Height	Total Height	Approx. Weight
SI Units	173mm	111mm	330mm	364mm	13.5Kg
English Units	6.81inch	4.37inch	13.0inch	14.3inch	29.8lbs



### Constant Current Discharge (Amperes at 77°F/25°C)

V/cell	10min	15min	30min	45min	1h	3h	5h	10h
1.60	390	294	200	162	125	56.6	38.8	21.4
1.65	370	280	192	155	121	54.8	38.0	21.2
1.70	348	265	183	148	116	53.0	37.1	20.9
1.75	327	250	172	141	111	50.0	36.0	20.5
1.80	305	235	160	134	105	48.6	35.0	20.0

### Constant Power Discharge (Watts at 77°F/25°C)

V/cell	10min	15min	30min	45min	1h	2h	3h	5h
1.60	580	524	380	308	245	146	106	78.0
1.65	559	499	364	299	235	142	104	76.6
1.70	538	473	348	289	224	137	101	75.1
1.75	517	446	331	280	213	132	98.0	73.5
1.80	495	420	315	272	201	126	94.7	71.7

(Note: The above characteristics data are average values obtained within three charge/discharge cycles not the minimum values.)



