



PVC GEL BATTERY

NG Series



NG12-265X (12V 265Ah)

New Power PVC GEL Series is manufactured with PVC/SiO₂ separator and fumed Silica. Gel battery is featured with low self-discharge, strong ability to recover from deep discharging, it has long service life and 50% more deep cycle life and excellent performance at cold ambient temperatures than conventional VRLA.

Battery Construction

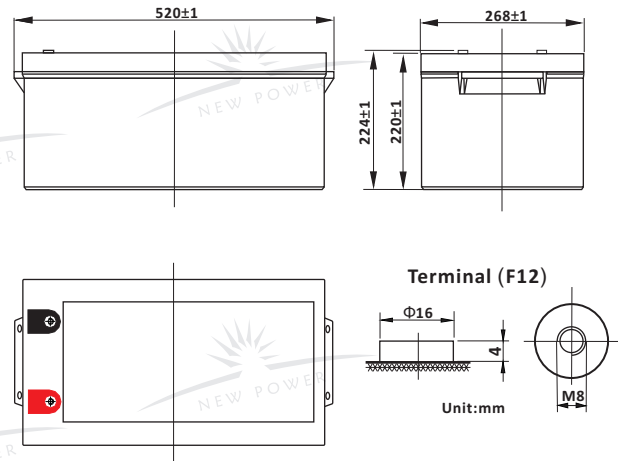
COMPONENT Raw material	POSITIVE PLATE Lead dioxide	NEGATIVE PLATE Lead	CONTAINER ABS	COVER ABS	SAFETY VALVE Rubber	TERMINAL Copper	SEPARATOR PVC/SiO ₂	ELECTROLYTE Gelled Acid
------------------------	-----------------------------	---------------------	---------------	-----------	---------------------	-----------------	--------------------------------	-------------------------

Performance Characteristics

- **Nominal Voltage** 12V
- **Number of Cell** 6
- **Nominal Capacity (77°F / 25°C)**
 - 100 Hour rate (2.65A, 11.1V) 265Ah
 - 10 Hour rate (22.5A, 10.8V) 225Ah
 - 5 Hour rate (38.4A, 10.5V) 192Ah
 - 1 Hour rate (130A, 9.6V) 130Ah
- **Internal Resistance**
 - Fully charged battery (77°F / 25°C) 3.8mΩ
- **Capacity affected by temperature (10 hour rate)**
 - 104°F (40°C) 102% 32°F (10°C) 85%
 - 77°F (25°C) 100% 5°F (-15°C) 65%
- **Self-Discharge 68°F (20°C)**
 - Capacity after 3 month storage 90%
 - Capacity after 6 month storage 80%
 - Capacity after 12 month storage 60%
- **Max. discharge current 77°F / 25°C** 1400A(5S)
- **Charge Methods: constant voltage charge 77°F / 25°C**
 - Cycle use 14.28 ~ 14.52V
 - Max. Current 45A
 - Standby use 13.38 ~ 13.62V

General Features

- **Micro millimeter SiO₂ and H₂SO₄ technology for efficient gas recombination of up to 99%, free from electrolyte maintenance or water add.**
- **Not restricted for air transport-complies with IATA/ICAO Special Provision A67.**
- **A recognized component of CE and UL**
- **Computer designed lead, calcium tin alloy grid for high power density.**
- **Long service life, float or cyclic applications.**
- **Maintenance-free operation.**
- **Low self discharge**
- **Design life 12 years**



Dimensions and Weight

Type	Length	Width	Height	Total Height	Approx. Weight
SI Units	520mm	268mm	220mm	224mm	74Kg
English Units	20.5inch	10.6inch	8.66inch	8.82inch	163lbs

Constant Current Discharge (Amperes at 77°F/25°C)

V/cell	10min	15min	30min	1h	3h	5h	10h	100h
1.60	403	310	217	130	59.49	41.49	23.59	2.86
1.65	376	294	207	125	58.09	40.81	23.24	2.84
1.70	358	265	197	120	56.25	39.88	23.00	2.81
1.75	337	262	187	113	53.24	38.40	22.76	2.78
1.80	315	242	176	109	51.21	36.70	22.50	2.76
1.85	292	232	167	104	48.81	34.25	21.84	2.65

Constant Power Discharge (Watts at 77°F/25°C)

V/cell	10min	15min	30min	1h	3h	5h	10h	100h
1.60	684	525	376	235	111	78.37	45.95	5.64
1.65	660	511	363	229	109	74.58	45.50	5.62
1.70	636	490	352	221	107	73.19	45.05	5.59
1.75	615	477	342	215	104	70.80	44.60	5.57
1.80	591	458	329	207	100	69.09	44.41	5.54
1.85	554	440	318	200	95.2	67.03	43.96	5.38

(Note: The above characteristics data are average values obtained within three charge/discharge cycles not the minimum values.)



