



AGM BATTERY NF Series

NF12-80 (12V 80AH)



The rechargeable batteries are lead-lead dioxide systems. The dilute sulfuric acid electrolyte is absorbed by separators and plates and thus immobilized. Should the battery be accidentally overcharged producing hydrogen and oxygen, special one-way valves allow the gases to escape thus avoiding excessive pressure build-up. Otherwise, the battery is completely sealed and is, therefore, maintenance-free, leak proof and usable in any position.

Battery Construction

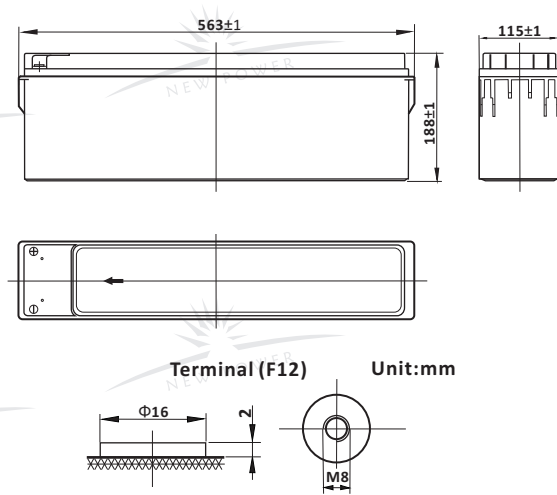
COMPONENT Raw material	POSITIVE PLATE Lead dioxide	NEGATIVE PLATE Lead	CONTAINER ABS	COVER ABS	SAFETY VALVE Rubber	TERMINAL Copper/Plug	SEPARATOR Fiberglass	ELECTROLYTE Sulfuric acid
---------------------------	--------------------------------	------------------------	------------------	--------------	------------------------	-------------------------	-------------------------	------------------------------

Performance Characteristics

- **Nominal Voltage** 12V
- **Number of Cell** 6
- **Nominal Capacity (77°F /25°C)**
 - 20 Hour rate (4.3A, 10.8V) 86Ah
 - 10 Hour rate (8A, 10.8V) 80Ah
 - 5 Hour rate (14.2A, 10.5V) 71Ah
 - 1 Hour rate (54A, 9.6V) 54Ah
- **Internal Resistance**
 - Fully charged battery (77°F /25°C) 5mΩ
- **Capacity affected by temperature (20 hour rate)**
 - 104°F (40°C) 102% 32°F (10°C) 85%
 - 77°F (25°C) 100% 5°F (-15°C) 65%
- **Self-Discharge 68°F (20°C)**
 - Capacity after 3 month storage 90%
 - Capacity after 6 month storage 80%
 - Capacity after 12 month storage 60%
- **Max. discharge current 77°F /25°C** 800A(5S)
- **Charge Methods: constant voltage charge 77°F /25°C**
 - Cycle use 14.4 ~ 14.7V
 - Max. Current 20A
 - Standby use 13.6 ~ 13.8V

General Features

- **Absorbent Glass Mat (AGM) technology for efficient gas recombination of up to 99% and freedom from electrolyte maintenance or water adding.**
- **Not restricted for air transport-complies with IATA/ICAO Special Provision A67.**
- **A recognized component of CE and UL**
- **Computer designed lead, calcium tin alloy grid for high power density.**
- **Long service life, float or cyclic applications.**
- **Maintenance-free operation.**
- **Low self discharge**
- **Design life 10 years**



Dimensions and Weight

Type	Length	Width	Height	Total Height	Approx. Weight
SI Units	563mm	115mm	188mm	188mm	27.4Kg
English Units	22.2inch	4.53inch	7.40inch	7.40inch	60.4lbs

Constant Current Discharge (Amperes at 77°F/25°C)

V/cell	10min	15min	30min	45min	1h	5h	10h	20h
1.60	200	157	97.0	70.0	54.0	15.1	8.25	4.40
1.65	188	146	93.8	67.7	52.9	14.8	8.20	4.40
1.70	175	138	90.6	65.3	51.8	14.5	8.15	4.35
1.75	163	130	87.3	62.8	50.6	14.2	8.10	4.35
1.80	151	123	83.9	60.2	49.3	13.8	8.00	4.30

Constant Power Discharge (Watts at 77°F/25°C)

V/cell	10min	15min	30min	45min	1h	3h	5h	10h
1.60	347	270	171	127	101.8	43.3	30.0	15.5
1.65	321	256	165	122	98.6	42.7	29.6	15.4
1.70	298	242	158	117	97.3	42.1	29.2	15.4
1.75	279	227	151	112	94.7	41.5	28.7	15.2
1.80	254	210	142	106	93.2	40.8	28.1	15.0

(Note: The above characteristics data are average values obtained within three charge/discharge cycles not the minimum values.)



