



AGM BATTERY NF Series

NF12-150 (12V 150AH)



The rechargeable batteries are lead-lead dioxide systems. The dilute sulfuric acid electrolyte is absorbed by separators and plates and thus immobilized. Should the battery be accidentally overcharged producing hydrogen and oxygen, special one-way valves allow the gases to escape thus avoiding excessive pressure build-up. Otherwise, the battery is completely sealed and is, therefore, maintenance-free, leak proof and usable in any position.

Battery Construction

COMPONENT	POSITIVE PLATE	NEGATIVE PLATE	CONTAINER	COVER	SAFETY VALVE	TERMINAL	SEPARATOR	ELECTROLYTE
Raw material	Lead dioxide	Lead	ABS	ABS	Rubber	Copper/Plug	Fiberglass	Sulfuric acid

Performance Characteristics

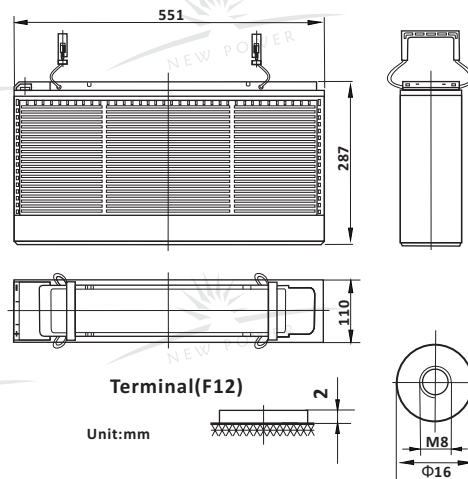
- **Nominal Voltage** 12V
- **Number of Cell** 6
- **Nominal Capacity (77°F /25°C)**
 - 20 Hour rate (8.0A, 10.8V) 160Ah
 - 10 Hour rate (15.0A, 10.8V) 150Ah
 - 5 Hour rate (28A, 10.5V) 143Ah
 - 1 Hour rate (107A, 9.6V) 107Ah
- **Internal Resistance**
 - Fully charged battery (77°F /25°C) 4.0mΩ
- **Capacity affected by temperature (20 hour rate)**
 - 104°F (40°C) 102% 32°F (10°C) 85%
 - 77°F (25°C) 100% 5°F (-15°C) 65%
- **Self-Discharge 68°F (20°C)**
 - Capacity after 3 month storage 90%
 - Capacity after 6 month storage 80%
 - Capacity after 12 month storage 60%
- **Max. discharge current 77°F /25°C** 1000A(5S)
- **Charge Methods: constant voltage charge 77°F /25°C**
 - Cycle use 14.4 ~ 14.7V
 - Max. Current 37.5A
 - Standby use 13.6 ~ 13.8V

General Features

- **Absorbent Glass Mat (AGM) technology for efficient gas recombination of up to 99% and freedom from electrolyte maintenance or water adding.**
- **Not restricted for air transport-complies with IATA/ICAO Special Provision A67.**
- **A recognized component of CE and UL**
- **Computer designed lead, calcium tin alloy grid for high power density.**
- **Long service life, float or cyclic applications.**
- **Maintenance-free operation.**
- **Low self discharge**
- **Design life 10 years**

Dimensions and Weight

Type	Length	Width	Height	Total Height	Approx. Weight
SI Units	551mm	110mm	287mm	287mm	45Kg
English Units	21.7inch	4.33inch	11.3inch	11.3inch	99.2lbs



Constant Current Discharge (Amperes at 77°F/25°C)

V/cell	10min	15min	30min	45min	1h	5h	10h	20h
1.60	345	271	175	135	107	29.4	15.4	8.20
1.65	325	253	169	131	105	28.9	15.3	8.15
1.70	305	232	163	127	103	28.5	15.2	8.10
1.75	284	212	156	122	101	28.0	15.1	8.10
1.80	263	193	148	117	98.0	27.5	15.0	8.00

Constant Power Discharge (Watts at 77°F/25°C)

V/cell	10min	15min	30min	45min	1h	2h	3h	5h
1.60	525	430	295	228	190	117	88.0	57.5
1.65	505	418	289	225	188	116	87.0	57.0
1.70	485	405	283	222	186	115	86.1	56.5
1.75	465	391	277	219	184	114	85.1	55.9
1.80	440	376	270	215	181	113	84.0	55.2

(Note: The above characteristics data are average values obtained within three charge/discharge cycles not the minimum values.)



