



# GOLF CART BATTERY EV Series



**EV6-210**

The rechargeable batteries are lead-lead dioxide systems. The dilute sulfuric acid electrolyte is absorbed by separators and plates and thus immobilized. Should the battery be accidentally overcharged producing hydrogen and oxygen, special one-way valves allow the gases to escape thus avoiding excessive pressure build-up. Otherwise, the battery is completely sealed and is, therefore, maintenance-free, leak proof and usable in any position.

## Battery Construction

COMPONENT	POSITIVE PLATE	NEGATIVE PLATE	CONTAINER	COVER	SAFETY VALVE	TERMINAL	SEPARATOR	ELECTROLYTE
Raw material	Lead dioxide	Lead	ABS	ABS	Rubber	Copper	Fiberglass	Sulfuric acid

## Performance Characteristics

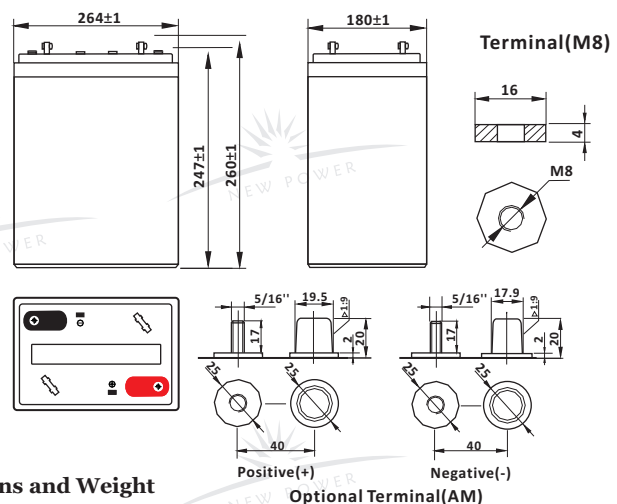
- **Nominal Voltage** ..... 6V
- **Ampere Hour Capacity**
  - 20 Hours rate (11.0A, 5.4V)..... 220Ah
  - 10 Hours rate (21.0A, 5.4V)..... 210Ah
  - 5 Hours rate (38.0A, 5.25V)..... 190Ah
  - 3 Hours rate (56.0A, 5.1V) ..... 168Ah
  - 1 Hour rate (132A, 4.8V) ..... 132Ah
- **Minutes of Discharge**
  - 25A to 5.25V..... 480     56A to 5.1V ..... 190
  - 75A to 5.1V ..... 136     85A to 5.1V ..... 115
  - 100A to 5.1V..... 92
- **Cranking Amps**
  - 32°F/0°C ..... 1050     0°F/-18°C ..... 775
- **Internal Resistance**
  - Fully charged battery (77°F/25°C)..... 1.7mΩ
- **Self-Discharge (68°F/20°C)**
  - Capacity declined per month ..... 3%
- **Opening temperature Range**
  - Discharge..... -20 ~ 60°C
  - Charge..... -10 ~ 50°C
  - Storage..... -20 ~ 60°C
- **Max. discharge current (77°F/25°C)**..... 1300A(5S)
- **Short Circuit Current**..... 3500A
- **Charge Methods: constant voltage charge (77°F/25°C)**
  - Cycle use..... 7.35 ~ 7.45V
  - Max. Current ..... 42.0A
  - Standby use..... 6.80 ~ 6.90V

## Application Field

- Golf and Electric Vehicles
- Floor Machines
- Aerial Lifts and Fork Lifts
- Solar and Renewable Energy
- Marine and RV
- Broadband and Cable TV
- Mobility and Medical
- Equipment Wheelchair
- Telecommunications
- Uninterruptible Power Supply

## General Features

- **Environmental friendly**
- **α-DC technology**
- **Computer-aided 99.99% pure heavy-duty lead calcium grid design**
- **Anchored plate groups to guard against vibration**
- **Tank formed plates for evenly formed and capacity matched plates**
- **Wide operating temperatures (-40° to 60°)**
- **Industry leading size and performance options**
- **Double insulating Micro porous glass fiber separators**
- **Flame arresting pressure regulated safety sealing valves for safety**
- **Low self discharge rates (1-3%/month)**
- **Multi-terminal options**
- **Removable carry handles**
- **Classified as "Non-Spillable Battery" for transport**
- **Complies with DOT HMR49, Non-Hazardous Material**
- **Design Life 10 years**



## Dimensions and Weight

Type	Length	Width	Height	Total Height	Approx. Weight
SI Units	264mm	180mm	247mm	260mm	31.5Kg
English Units	10.4inch	7.1inch	9.72inch	10.2inch	69.4lbs



