



# GOLF CART BATTERY EV Series



**EV12-70**

The rechargeable batteries are lead-lead dioxide systems. The dilute sulfuric acid electrolyte is absorbed by separators and plates and thus immobilized. Should the battery be accidentally overcharged producing hydrogen and oxygen, special one-way valves allow the gases to escape thus avoiding excessive pressure build-up. Otherwise, the battery is completely sealed and is, therefore, maintenance-free, leak proof and usable in any position.

## Battery Construction

COMPONENT Raw material	POSITIVE PLATE Lead dioxide	NEGATIVE PLATE Lead	CONTAINER ABS	COVER ABS	SAFETY VALVE Rubber	TERMINAL Copper	SEPARATOR Fiberglass	ELECTROLYTE Sulfuric acid
---------------------------	--------------------------------	------------------------	------------------	--------------	------------------------	--------------------	-------------------------	------------------------------

## Performance Characteristics

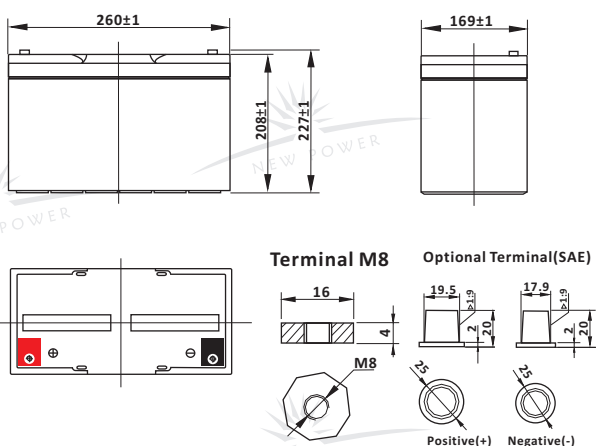
- **Nominal Voltage** ..... 12V
- **Ampere Hour Capacity**
  - 20 Hours rate (3.8A, 10.8V)..... 76Ah
  - 10 Hours rate (7.0A, 10.8V)..... 70Ah
  - 5 Hours rate (12.0A, 10.5V)..... 60Ah
  - 3 Hours rate (18.33A, 10.2V)..... 55Ah
  - 1 Hour rate (44A, 10.2V)..... 44Ah
- **Minutes of Discharge**
  - 25A to 10.2V..... 139
  - 75A to 9.6V ..... 33
  - 100A to 9.6V..... 24
  - 56A to 9.6V ..... 47
  - 85A to 9.6V ..... 29
- **Cranking Amps**
  - 32°F/0°C ..... 650
  - 0°F/-18°C ..... 500
- **Internal Resistance**
  - Fully charged battery (77°F / 25°C)..... 5.6mΩ
- **Self-Discharge (68°F / 20°C)**
  - Capacity declined per month ..... 3%
- **Opening temperature Range**
  - Discharge..... -20 ~ 60°C
  - Charge..... -10 ~ 50°C
  - Storage..... -20 ~ 60°C
- **Max. discharge current (77°F / 25°C)**..... 700A(5S)
- **Short Circuit Current**..... 1050A
- **Charge Methods: constant voltage charge (77°F / 25°C)**
  - Cycle use..... 14.7 ~ 14.9V
  - Max. Current ..... 14.0A
  - Standby use..... 13.6 ~ 13.8V

## Application Field

- Golf and Electric Vehicles
- Floor Machines
- Aerial Lifts and Fork Lifts
- Solar and Renewable Energy
- Marine and RV
- Broadband and Cable TV
- Mobility and Medical
- Equipment Wheelchair
- Telecommunications
- Uninterruptible Power Supply

## General Features

- **Environmental friendly**
- **α-DC technology**
- **Computer-aided 99.99% pure heavy-duty lead calcium grid design**
- **Anchored plate groups to guard against vibration**
- **Tank formed plates for evenly formed and capacity matched plates**
- **Wide operating temperatures (-40° to 60°)**
- **Industry leading size and performance options**
- **Double insulating Micro porous glass fiber separators**
- **Flame arresting pressure regulated safety sealing valves for safety**
- **Low self discharge rates (1-3%/month)**
- **Multi-terminal options**
- **Removable carry handles**
- **Classified as "Non-Spillable Battery" for transport**
- **Complies with DOT HMR49, Non-Hazardous Material**
- **Design Life 10 years**



## Dimensions and Weight

Type	Length	Width	Height	Total Height	Approx. Weight
<b>SI Units</b>	260mm	169mm	208mm	227mm	22Kg
<b>English Units</b>	10.2inch	6.65inch	8.19inch	8.94inch	48.5lbs



